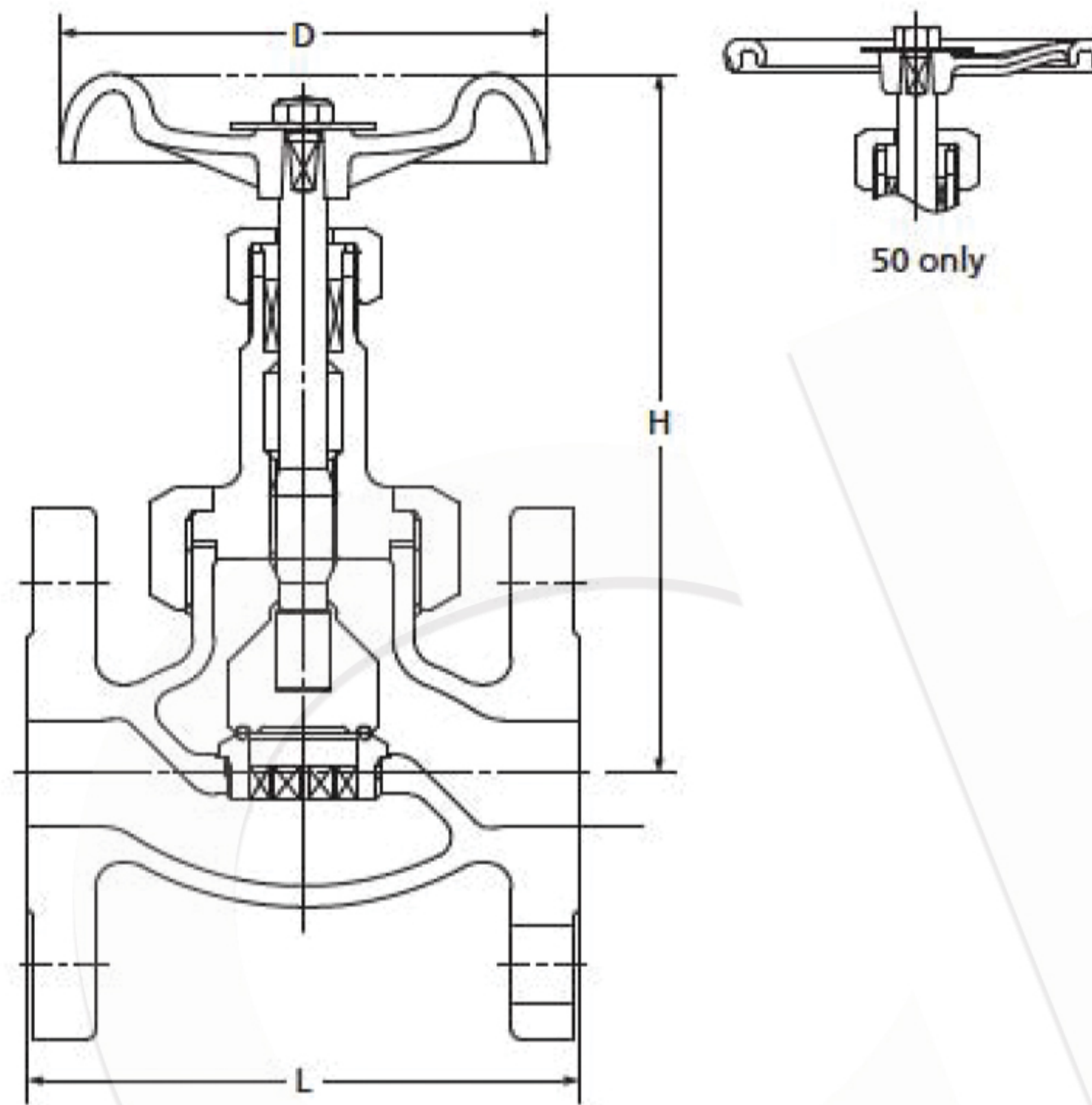


# 20K Globe Valve

**20SYB**  
U.B.I.S.  
RF-flanged



Face to face : JIS B 2002 JV 4-4\*  
End connection : JIS B 2239 20K  
\* KITZ Std. for 10

120°C Static water..... 2.8MPa  
220°C Steam, air, gas, oil..... 2.5MPa  
300°C Steam, air, gas, oil..... 2.3MPa  
350°C Steam, air, gas, oil..... 2.0MPa

- Use for lubricating or hydraulic oil is acceptable. Contact KITZ Corporation for technical advice, if valves are used as heat transfer media.
- Employment of copper gasket prohibits use of this valve for ammonia or amine chemicals.

### Materials

Parts	JIS material
Body	FCD-5
Bonnet	FCD-5
Stem	SUS420J2
Disc	SUS403 + HF *
Body seat ring	SCS13A + HF *
Gland	SUS420J2 (25 & 50 : SUS403)
Gland packing	Non-asbestos Packing
Packing nut	FCD-5
Handwheel	FCD450-10 (50 : FCD400)
Wheel nut	SS400
Gasket	C1100P-0
Name plate	A1050P

\* Hard-faced with Co-Cr-W alloy

### Dimensions

Size	mm							
	mm	10	15	20	25	32	40	50
	inch	3/8	1/2	3/4	1	1 1/4	1 1/2	2
L		110	110	120	130	160	180	230
H (open)		136	138	157	178	202	210	239
D		70	80	100	115	135	135	180

NOTE : For flange dimensions, refer to Page 44.